

True Union Ball Valve

ADVANTAGES:

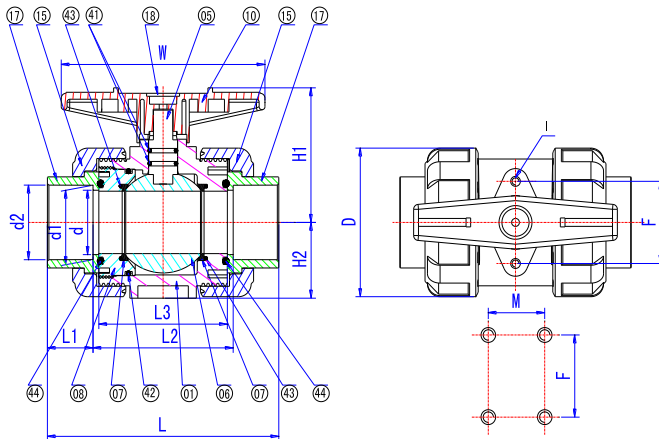
- 1) NSF listed & materials meet drinking water standard
- 2) Smooth opening & closing thanks to a lower torque
- 3) 100% pure virgin material, CaCO₃ free (Chalk)
- 4) UV resistant powder added
- 5) 100% pressure testing before leaving the factory
- 6) Can be assembled with Pneumatic/Electric Actuators

DESCRIPTION:

- 1) Material: PVC, CPVC, Clear PVC, PP, PVDF
- 2) Size: 1/2" - 4"; 20mm - 110mm; DN15 - DN100
- 3) Standard: ANSI, DIN, JIS, CNS
- 4) Joint End: Socket, Threaded(NPT, PT, BSPF), Fusion, Welding
- 5) Seat - PTFE, TPV ; ORING - EPDM, VITON
- 6) Working Pressure: 150 PSI
- 7) Operating Temperature: PVC(0~55°C); CPVC & PP(0~95°C)
- 8) Handle color : red, blue, green, orange
Valve body color : PVC(dark gray), CPVC(light gray), PP(light yellow)
Clear PVC(transperance), PVDF(ivory)



SPECIFICATIONS:



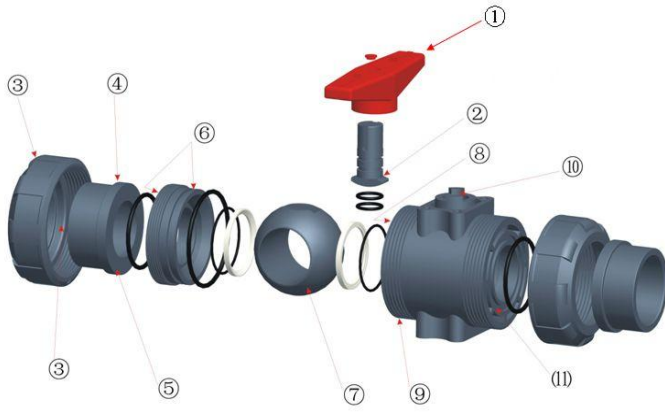
ITEM	PART	MATERIAL	QTY
01	BODY	PVC / CPVC / PP / CLEAR PVC / PVDF	1
05	STEM	PVC / CPVC / PP / CLEAR PVC / PVDF	1
06	BALL	PVC / CPVC / PP / CLEAR PVC / PVDF	1
07	SEAT	TPV / PTFE	2
08	SEAL CARRIER	PVC / CPVC / PP / CLEAR PVC / PVDF	1
10	HANDLE	ABS	1
15	UNION NUT	PVC / CPVC / PP / CLEAR PVC / PVDF	2
17	UNION END	PVC / CPVC / PP / CLEAR PVC / PVDF	2
18	CAP	ABS	1
41	ORING	EPDM / VITON	2
42	ORING	EPDM / VITON	1
43	ORING	EPDM / VITON	2
44	ORING	EPDM / VITON	2

UNIT: MM

SIZE	d	d1				d2				D
		ANSI	DIN	JIS	CNS	ANSI	DIN	JIS	CNS	
1/2"(15)	15	21.54	20.30	22.30	22.40	21.23	20.10	21.70	21.90	54.00
3/4"(20)	20	26.87	25.30	26.30	26.40	26.57	25.10	25.70	25.90	63.00
1"(25)	25	33.65	32.30	32.33	34.50	33.27	32.10	31.67	33.90	73.50
1 1/4"(32)	32	42.42	40.30	38.43	42.50	42.04	40.10	37.57	41.90	84.50
1 1/2"(40)	40	48.56	50.30	48.46	48.60	48.11	50.10	47.54	47.90	98.00
2"(50)	50	60.63	63.30	60.56	60.60	60.17	63.10	59.44	59.90	118.00
2 1/2"(65)	63	73.38	75.30	76.60	76.70	72.85	75.10	75.87	75.90	150.00
3"(80)	75	89.31	90.40	89.60	89.70	88.70	90.10	88.83	88.90	169.00
4"(100)	97	114.76	110.40	114.70	115.00	114.10	110.10	113.98	113.80	211.00

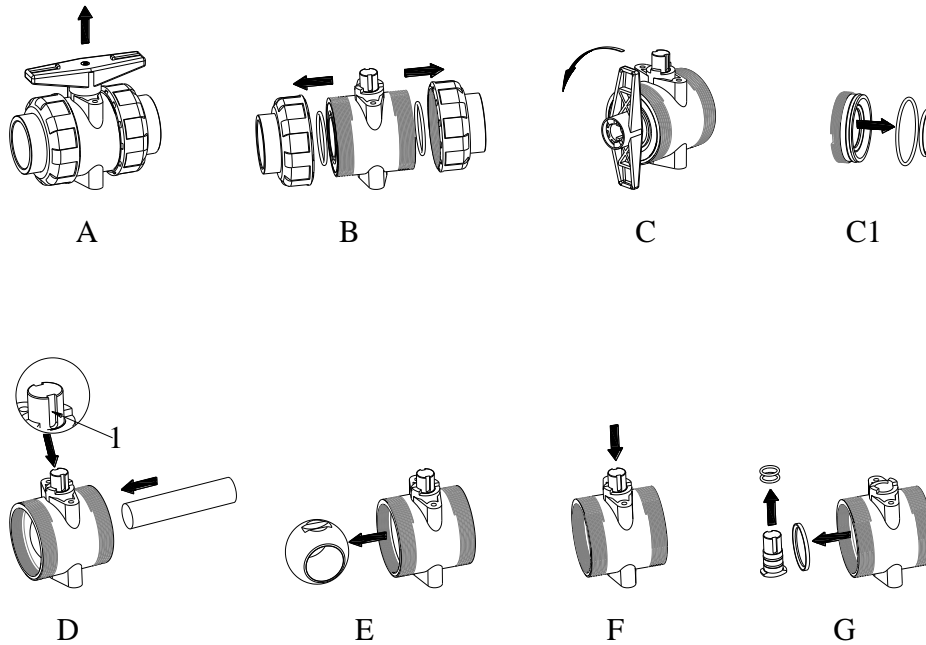
SIZE	L		L1		L2	L3	W	H1	H2	F	M	I	operating torque (Nm)
	ANSI /JIS /CNS	DIN	ANSI /JIS /CNS	DIN									
1/2"(15)	104.80	92.00	22.30	16.00	60.00	52.00	84.00	52.50	27.50	31.00	—	M6	2.0
3/4"(20)	113.00	100.00	25.50	19.00	62.00	54.00	90.00	59.00	32.00	33.00	—	M6	2.5
1"(25)	127.20	114.00	28.60	22.00	70.00	62.00	106.00	67.50	37.25	40.00	—	M6	4.0
1 1/4"(32)	142.00	130.00	32.00	26.00	78.00	70.00	116.00	77.50	42.75	52.00	—	M8	5.0
1 1/2"(40)	157.50	151.50	35.00	32.00	87.50	79.50	128.00	90.00	50.00	52.00	—	M8	7.5
2"(50)	171.00	—	38.00	—	95.00	85.00	140.00	106.00	60.00	70.00	—	M8	8.5
2 1/2"(65)	238.50	—	47.00	—	144.50	132.50	210.00	136.50	76.50	84.00	45.00	M10	13
3"(80)	268.00	—	51.00	—	166.00	150.00	235.00	149.50	86.00	84.00	45.00	M10	16
4"(100)	318.00	—	61.00	—	196.00	172.00	260.00	175.00	107.00	121.00	49.00	M12	25

DESIGNS:



- ① Underside handle extends the length so that both OFF block will not be exposed, more beautiful
- ② Extrusive circular plane change to both side plane, easy processing and assemble
- ③ Lateral plane and ribs of the Union Cap, from the right-angle change to incline to increase the intensity
- ④ Union end from right-angle to slope increase in a round protruding rib to increase the intensity
- ⑤ Surface of Oring change to a plane, and each have been cutting lathe in order to ensure its flatness
- ⑥ Seal carrier and Oring slot is processed by machine, sealing performance is improved.
- ⑦ Each ball has increased turning and grinding to ensure that its true roundness and smoothness. So much easier to handle and not easy leak
- ⑧ Inside body is processed via CNC machine to make sure accurate dimensions
- ⑨ Increase the slope of trapezoidal teeth and the number of teeth in order to ensure their connection strength
- ⑩ Through hole is processed via CNC machine to make sure the stability of sealing
- (11) Slot dimension is improved, sealing performance is strengthened.

DISASSEMBLY DETAILS:



- A - pull out the handle
- B - take apart the nuts
- C - turn the seal carrier in an anticlockwise direction
- C1 - take out the Seat & Oring
- D - push the ball
- E - pick out the ball
- F - press the shaft
- G - pick out the Seat & Oring

Note:

- 1) For above "D" step, pls take note the groove position "1" on the shaft
- 2) To assemble the valve, pls follow up the steps from "G" to "A"

Flanged True Union Ball Valve

ADVANTAGES:

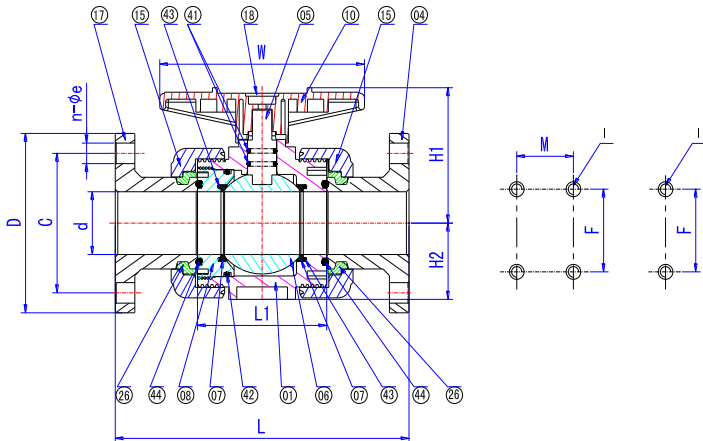
- 1) Materials meet drinking water standard
- 2) Smooth opening & closing thanks to a lower torque
- 3) 100% pure virgin material, CaCO₃ free (Chalk)
- 4) UV resistant powder added
- 5) 100% pressure testing before leaving the factory
- 6) Can be assembled with Pneumatic/Electric Actuators

DESCRIPTION:

- 1) Material: PVC, CPVC, PP, PVDF
- 2) Size: 1/2" - 4"; 20mm - 110mm; DN15 - DN100
- 3) Standard: ANSI, DIN, JIS
- 4) Joint End: Flanges
- 5) Working Pressure: 150 PSI
- 6) Operating Temperature: PVC(0~55°C); CPVC & PP(0~95°C)
- 7) Handle color : red, blue, green, orange
Valve body color : PVC(dark gray), CPVC(light gray),
PP(light yellow), PVDF(ivory)



SPECIFICATIONS:



ITEM	PART	MATERIAL	QTY
01	BODY	PVC / CPVC / PP / PVDF	1
05	STEM	PVC / CPVC / PP / PVDF	1
06	BALL	PVC / CPVC / PP / PVDF	1
07	SEAT	TPV / PTFE	2
08	SEAL CARRIER	PVC / CPVC / PP / PVDF	1
10	HANDLE	ABS	1
15	UNION NUT	PVC / CPVC / PP / PVDF	2
17	FLANGE	PVC / CPVC / PP / PVDF	2
18	CAP	ABS	1
26	FLANGE BUCKLE	PVC / CPVC / PP / PVDF	2
41	ORING	EPDM / VITON	2
42	ORING	EPDM / VITON	1
43	ORING	EPDM / VITON	2
44	ORING	EPDM / VITON	2

UNIT: MM

SIZE	d	C			D	L	L1	W	H1	H2	F	M	I	n-ø e	
		ANSI	JIS	DIN										ANSI	DIN/JIS
1/2"(15)	15	60.30	70.00	65.00	95.00	137.00	52.00	84.00	52.50	27.50	31.00	—	M6	4-15	
3/4"(20)	20	70.00	75.00	75.00	105.00	142.00	54.00	90.00	59.00	32.00	33.00	—	M6	4-15	
1"(25)	25	79.40	90.00	85.00	125.00	162.00	62.00	106.00	67.50	37.25	40.00	—	M6	4-19	
1 1/4"(32)	32	88.90	100.00	100.00	140.00	186.00	70.00	116.00	77.50	42.75	52.00	—	M8	4-19	
1 1/2"(40)	40	98.40	105.00	110.00	145.00	205.50	79.50	128.00	90.00	50.00	52.00	—	M8	4-19	
2"(50)	50	120.70	120.00	125.00	165.00	217.00	85.00	140.00	106.00	60.00	70.00	—	M8	4-19	
2 1/2"(65)	63	139.50	140.00	145.00	182.00	302.50	132.50	210.00	136.50	76.50	84.00	45.00	M10	4-19	
3"(80)	75	152.40	150.00	160.00	200.00	330.00	150.00	235.00	149.50	86.00	84.00	45.00	M10	4-19	8-19
4"(100)	97	190.50	175.00	180.00	228.00	378.00	172.00	260.00	175.00	107.00	121.00	49.00	M12	8-19	



Electric Actuated Ball Valve

ADVANTAGES:

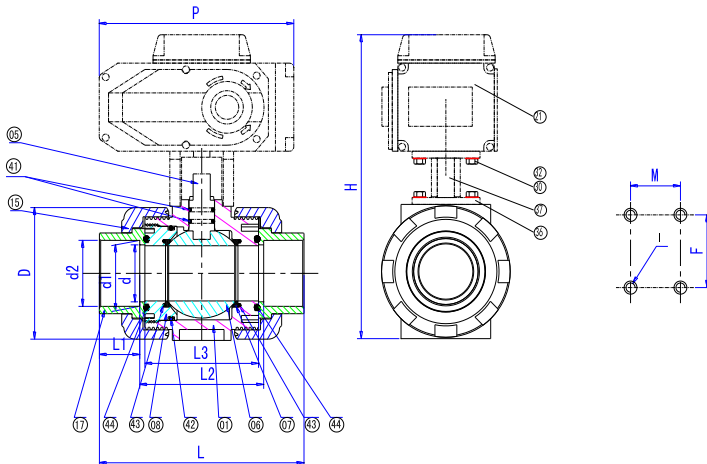
- 1) Plastic actuator body pass impaction & acid-base tests, also meets SGS
- 2) Valve position can be adjusted from 15 degree to 90 degree
- 3) Assembly of actuators and valves meets EN ISO 5211 standard
- 4) Valve body is with 100% pure virgin material, CaCO3 free (Chalk)
- 5) Valve body is added in UV resistant powder
- 6) 100% performance testing before leaving the factory
- 7) Can be assembled with Pneumatic Actuators as well

DESCRIPTION:

- 1) Material: PVC, CPVC, PP, PVDF
- 2) Size: 1/2" - 4"; 20mm - 110mm; DN15 - DN100
- 3) Standard: ANSI, DIN, JIS
- 4) Joint End: Socket, Threaded(NPT, PT, BSPF), Fusion, Welding
- 5) Working Pressure: 150 PSI
- 6) Operating Temperature: PVC(0~55°C); CPVC & PP(0~95°C)
- 7) Valve body color : PVC(dark gray), CPVC(light gray), PP(light yellow), PVDF(ivory)



SPECIFICATIONS:



ITEM	PART	MATERIAL	QTY
01	BODY	PVC / CPVC / PP / PVDF	1
05	STEM	PVC / CPVC / PP / PVDF	1
06	BALL	PVC / CPVC / PP / PVDF	1
07	SEAT	TPV / PTFE	2
08	SEAL CARRIER	PVC / CPVC / PP / PVDF	1
15	UNION NUT	PVC / CPVC / PP / PVDF	2
17	UNION END	PVC / CPVC / PP / PVDF	2
20	ACTUATOR	-	1
30	BOLT	SS 304	6 / 8
32	PAD	SS 304	6 / 8
36	BRACKET	SS 304	1
37	DRIVE ADAPTOR	SS 304	1
41	ORING	EPDM / VITON	2
42	ORING	EPDM / VITON	1
43	ORING	EPDM / VITON	2
44	ORING	EPDM / VITON	2

UNIT: MM

SIZE	d	d1				d2			
		ANSI	DIN	JIS	CNS	ANSI	DIN	JIS	CNS
1/2"(15)	15	21.54	20.30	22.40	22.40	21.23	20.10	21.73	21.90
3/4"(20)	20	26.87	25.30	26.45	26.40	26.57	25.10	25.69	25.90
1"(25)	25	33.65	32.30	32.55	34.50	33.27	32.10	31.70	33.90
1 1/4"(32)	32	42.42	40.30	38.60	42.50	42.04	40.10	37.65	41.90
1 1/2"(40)	40	48.56	50.30	48.70	48.60	48.11	50.10	47.74	47.90
2"(50)	50	60.63	63.30	60.80	60.60	60.17	63.10	59.78	59.90
2 1/2"(65)	63	73.38	75.30	76.60	76.70	72.85	75.10	75.68	75.90
3"(80)	75	89.31	90.40	89.60	89.70	88.70	90.10	88.55	88.90
4"(100)	97	114.76	110.40	114.70	115.00	114.10	110.10	113.60	113.80

SIZE	D	L		L1		L2	L3	P	H	F	M	I	operating torque (Nm)	Model
		ANSI / JIS / CNS	DIN	ANSI / JIS / CNS	DIN									
1/2"(15)	54.00	104.80	92.00	22.30	16.00	60.00	52.00	180.00	174.00	31.00	—	M6	2.0	EA-A6
3/4"(20)	63.00	113.00	100.00	25.50	19.00	62.00	54.00	180.00	183.00	33.00	—	M6	2.5	EA-A6
1"(25)	73.50	127.20	114.00	28.60	22.00	70.00	62.00	180.00	193.50	40.00	—	M6	4.0	EA-A6
1 1/4"(32)	84.50	142.00	130.00	32.00	26.00	78.00	70.00	180.00	216.00	52.00	—	M8	5.0	EA-A6
1 1/2"(40)	98.00	157.50	151.50	35.00	32.00	87.50	79.50	180.00	230.60	52.00	—	M8	7.5	EA-A6
2"(50)	118.00	171.00		38.00		95.00	85.00	180.00	260.70	70.00	—	M8	8.5	EA-A6
2 1/2"(65)	150.00	238.50		47.00		144.50	132.50	180.00	294.30	84.00	45.00	M10	13.00	EA-A6
3"(80)	169.00	268.00		51.00		166.00	150.00	212.00	340.30	84.00	45.00	M10	16.00	EA-A7
4"(100)	211.00	318.00		61.00		196.00	172.00	212.00	401.00	121.00	49.00	M12	25.00	EA-A7

Pneumatic Actuated Ball Valve

ADVANTAGES:

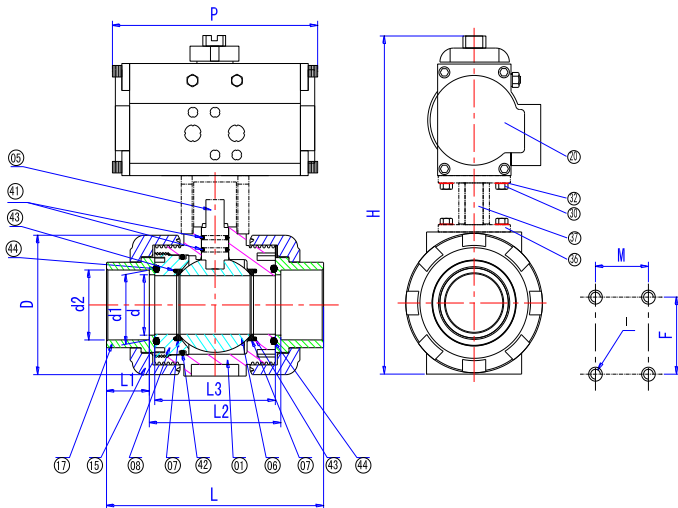
- 1) Materials meet drinking water standard
- 2) Smooth opening & closing thanks to a lower torque
- 3) 100% pure virgin material, CaCO₃ free (Chalk)
- 4) UV resistant powder added
- 5) 100% pressure testing before leaving the factory
- 6) Can be assembled with Electric Actuators as well

DESCRIPTION:

- 1) Material: PVC, CPVC, PP, PVDF
- 2) Size: 1/2" - 4"; 20mm - 110mm; DN15 - DN100
- 3) Standard: ANSI, DIN, JIS
- 4) Joint End: Socket, Threaded(NPT, PT, BSPF), Fusion, Welding
- 5) Working Pressure: 150 PSI
- 6) Operating Temperature: PVC(0~55°C); CPVC & PP(0~95°C)
- 7) Actuator's Lowest Air Pressure: 45PSI; Max.Operating Pressure: 120PSI
- 8) Valve body color : PVC(dark gray), CPVC(light gray),
PP(light yellow), PVDF(ivory)



SPECIFICATIONS:



ITEM	PART	MATERIAL	QTY
01	BODY	PVC / CPVC / PP / PVDF	1
05	STEM	PVC / CPVC / PP / PVDF	1
06	BALL	PVC / CPVC / PP / PVDF	1
07	SEAT	TPV / PTFE	2
08	SEAL CARRIER	PVC / CPVC / PP / PVDF	1
15	UNION NUT	PVC / CPVC / PP / PVDF	2
17	UNION END	PVC / CPVC / PP / PVDF	2
20	ACTUATOR	SS 304	1
30	BOLT	SS 304	6 / 8
32	PAD	SS 304	6 / 8
36	BRACKET	SS 304	1
37	DRIVE ADAPTOR	SS 304	1
41	ORING	EPDM / VITON	2
42	ORING	EPDM / VITON	1
43	ORING	EPDM / VITON	2
44	ORING	EPDM / VITON	2

UNIT: MM

SIZE	d	d1				d2			
		ANSI	DIN	JIS	CNS	ANSI	DIN	JIS	CNS
1/2"(15)	15	21.54	20.30	22.40	22.40	21.23	20.10	21.73	21.90
3/4"(20)	20	26.87	25.30	26.45	26.40	26.57	25.10	25.69	25.90
1"(25)	25	33.65	32.30	32.55	34.50	33.27	32.10	31.70	33.90
1 1/4"(32)	32	42.42	40.30	38.60	42.50	42.04	40.10	37.65	41.90
1 1/2"(40)	40	48.56	50.30	48.70	48.60	48.11	50.10	47.74	47.90
2"(50)	50	60.63	63.30	60.80	60.60	60.17	63.10	59.78	59.90
2 1/2"(65)	63	73.38	75.30	76.60	76.70	72.85	75.10	75.68	75.90
3"(80)	75	89.31	90.40	89.60	89.70	88.70	90.10	88.55	88.90
4"(100)	97	114.76	110.40	114.70	115.00	114.10	110.10	113.60	113.80

SIZE	D	L		L1		L2	L3	P	H	F	M	I
		ANSI /JIS /CNS	DIN	ANSI /JIS /CNS	DIN							
1/2"(15)	54.00	104.80	92.00	22.30	16.00	60.00	52.00	155.00	176.50	31.00	—	M6
3/4"(20)	63.00	113.00	100.00	25.50	19.00	62.00	54.00	155.00	186.00	33.00	—	M6
1"(25)	73.50	127.20	114.00	28.60	22.00	70.00	62.00	155.00	196.50	40.00	—	M6
1 1/4"(32)	84.50	142.00	130.00	32.00	26.00	78.00	70.00	168.00	235.00	52.00	—	M8
1 1/2"(40)	98.00	157.50	151.50	35.00	32.00	87.50	79.50	168.00	249.50	52.00	—	M8
2"(50)	118.00	171.00	—	38.00	—	95.00	85.00	168.00	280.00	70.00	—	M8
2 1/2"(65)	150.00	238.50	—	47.00	—	144.50	132.50	219.00	331.00	84.00	45.00	M10
3"(80)	169.00	268.00	—	51.00	—	166.00	150.00	249.00	362.50	84.00	45.00	M10
4"(100)	211.00	318.00	—	61.00	—	196.00	172.00	249.00	423.00	121.00	49.00	M12